

MV-BOOTH-8005

2-Person Interpreter Booth

Features & Technical Specifications



- ▶ Acoustic environment: Surpasses ISO-4043:1998 international standard.
- ▶ Lightweight aluminum structure: 140 kg/308 lbs
- ▶ Outside dimensions: 166 cm x 203 cm x 166 cm (L x H x D)
- ▶ 10 panels for 2 interpreters, possible to add panels for 3 interpreters.
- ▶ Construction: Each panel is built with laminate finish exterior with special isolated soundproof material. Material is fire retardant UL-723. Inside covering is made with decorative textile 100% polyester. Cotton of 9 mm. woven density and weight of 60 gr. per meter.
- ▶ Assembly: 10 minutes, no tools required (see QUICKLATCH® systems)
- ▶ Included accessories: removable table, 2 LED lights, 2 fans 38 DB silent whisper (110/220 volts), ATA-300 shipping case on wheels.
- ▶ Optional: Double Plexiglas® window, air conditioning, soundproof flooring, interior partition systems, custom size built.



Unique QUICKLATCH® system for easy assembly, no tools!

DESIGN

This high performance 2-person interpreter booth brings ergonomic design, innovation, and functionality to provide the best working environment for interpreters as well as ease of handling and assembly.

PERFORMANCE

Developed for high technology industry, bringing unsurpassed sound attenuation and reverberation that meets and surpasses ISO requirements for mobile booths.

EASE OF ASSEMBLY

The unique panel QUICKLATCH® locking system makes setup and teardown fast and easy. Light pressure on the latch handle connects and tightly seals the panels together. No more tools, hex key or adjustments, one person can set up the booth in less than 10 minutes.

FLEXIBILITY

Two configuration options for 2 or 3 interpreters seating. The flexibility allows you to reduce or increase the capacity of the booth by adding or removing panels.

TURN KEY SYSTEM

One durable case on wheels provides everything you need for a perfect set up including all panels, a working table, 2 high velocity extraction air fan units and 2 LED lights.

DOOR CLOSURE

Equipped with a super silent magnetic closure system door avoiding loud noises coming from mechanical systems that may be heard by sensitive microphone. Door can be installed on left, right and back of booth for more accessibility and conference room configuration.

LIGHTNESS

Makes one of the lightest high quality booths at 224 kg/494 lbs with case and accessories. Facilitates handling, assembly, and reduces the cost of transporting.

DURABILITY & MAINTENANCE

Made from the inside out with high quality materials, providing you maintenance-free products. In case of damage replacement parts are readily available for easy fix.

COMFORT

Interpreters enjoy maximum comfort and a work surface with plenty of space for equipment and supplies, plus one of the largest panoramic window panels for superb visibility. Non allergen woven materials line the walls, a clothes hanger is an included feature as well as 2 LED light fixtures.

WARRANTY

Covered by a limited one year warranty on any defect or malfunction (certain conditions apply).

ISO 4043:1998 CERTIFIED

Meets and surpasses all ISO 4043:1998 standards.



*Copies of tests are available on request

MEDIA VISION

The Conference Company www.media-vision.com | info@media-vision.com

San Francisco | New York | Washington DC | Paris | Brussels | London | Copenhagen | Geneva | Toronto



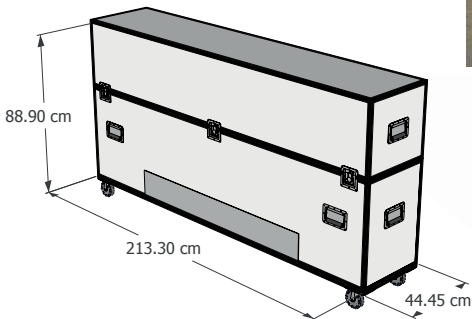
MV-BOOTH-8005

2-Person Interpreter Booth

Features & Technical Specifications



1 Flight Case, 2 Fans, 2 LED Lights Included

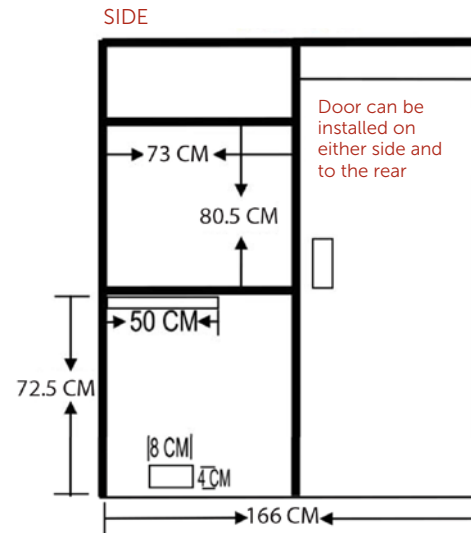
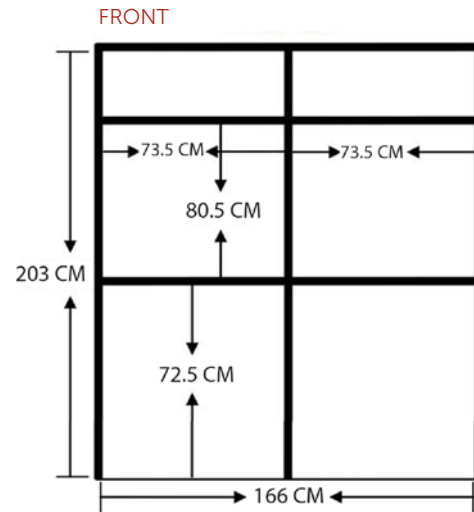


Working Table (Removable)



Exterior Booth Dimensions

Outside dimensions (L x H x D):
166 cm x 203 cm x 166 cm
65" x 80" x 65"



DESCRIPTION	DIMENSION	WEIGHT	
Standard panels (3)	82,3 cm x 201,0 cm	13,60 kg	29.9 lbs.
Window panels (4)	82,3 cm x 201,0 cm	15,20 kg	33.5 lbs.
Door panel (1)	82,3 cm x 201,0 cm	18,50 kg	40.7 lbs.
Roof panels (2)	84,0 cm x 163,6 cm	9,90 kg	21.8 lbs.
	Total panels weight	139,9 kg	308 lbs.
Table & accessories	161 cm x 50 cm (table)	16 kg	35.5 lbs.
Flight case	88,90 cm x 213,30 cm x 44,5 cm	68 kg	150 lbs.
	Total weight	224 kg	493.5 lbs.

MEDIA VISION Contact us for details today or [click to see the video!](#)
The Conference Company www.media-vision.com | info@media-vision.com

San Francisco | New York | Washington DC | Paris | Brussels | London | Copenhagen | Geneva | Toronto

